

Static Eraser “Modern” Manual

Thank you for purchasing TOP WING Static Eraser “Modern.”

TOP WING Static Eraser “Modern” is a shell ring that helps eliminate static electricity. Its unique configuration and materials allow the Static Eraser to efficiently discharge to the tone arm static electricity generated during playback. With that, the product can reduce electrostatic charge to less than 100V. Static Eraser “Modern” can be used as a simple replacement for the rubber ring on the headshell. Based on full utilization of its shell-ring characteristics, the product naturally boasts excellent vibration-absorption properties.

Installation of Static Eraser “Modern”

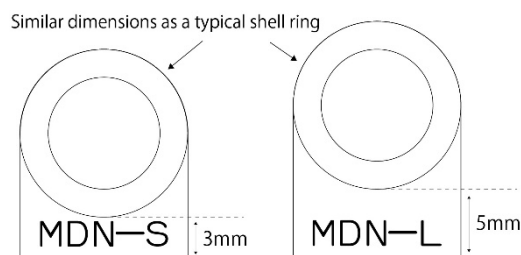
1. Remove Static Eraser “Modern” from case
2. Remove headshell from tone arm
3. If headshell includes a shell ring, remove the ring
4. Pass the part connecting the headshell and the tone arm through the hole of the Static Eraser.

When doing so, make sure excessive force is not applied to the Static Eraser.



5. Attach the headshell to the tonearm. The Static Eraser might tilt one way or the other with rotation of the tonearm locknut. Make necessary adjustments so that the bottom end of the Static Eraser is as horizontal as possible to the record surface.

6. Place the needle onto the record for confirmation that the Static Eraser does not come into contact with the record surface. If the unit does touch the surface, try the shorter of the two sizes included (known as the “MDN-S”). If the MDN-S still contacts the record surface, please trim the bottom edge of the MDN-S before using. When trimming, make sure the bottom edge is as horizontal as possible. The sharpness of the cut edge will not have any particular effect on the product’s discharge performance.



Precautions upon use

- The product cannot be used with tone arms that directly attach to the cartridge without a headshell
- It cannot be used with tone arms that include arm parts or headshell connectors composed of plastic
- It does not completely eliminate static electricity, but by removing static to a certain extent, the product can improve sound quality
- It is designed to discharge static electricity generated during playback. The product is not capable of instantly demagnetizing records that have become highly charged during storage, etc. If that is the case, please gently remove static before playing the record with a static-elimination brush or other such implement

Specifications

Product name: Static Eraser “Modern”

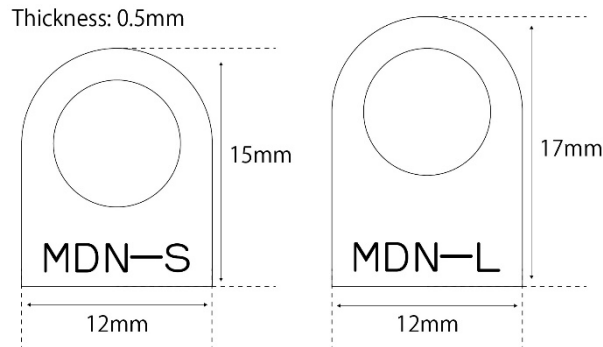
Part number: TW-SE-MDN

Materials: Conductive rubber

Size: Shell-shaped ring, 2 sizes included

Modern Short (MDN-S): 12 x 17 x 0.5mm

Modern Long (MDN-L): 12 x 15 x 0.5mm



Weight: Less than 0.1g

Contents: Static Eraser “Modern,” 2 sizes, long and short (MDN-S, MDN-L), storage case

Warranty period: 12 months